

Silente[®]

A c o u s t i c P a n e l s



Acoustic WigWam

Sound absorbing desk screens

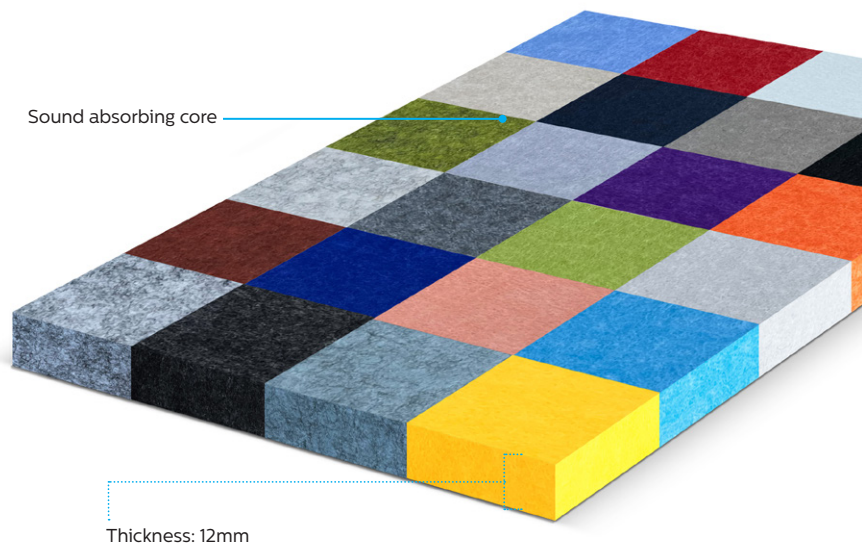
www.silente.co.uk



What is WigWam™?

Silente WigWam™ range is a high sound absorbing acoustic desk screen designed to control echo and reverberation which creates a quiet place for employees. Our Silente WigWam™ acoustic desk screens improve the quality of the environment due to the products ability to absorb echo and reverberation around the work station.

Our Silente WigWam™ acoustic screen absorbs sound to eliminate echo and reverberation around the working environment. Silente WigWam™ acoustic desk screen core material is a compressed polyester manufactured using post-consumer recycled polyester from plastic bottles. Our desk screens have been designed to a very specific density to achieve the correct acoustic performance and are available in 12mm thickness and in 22 different colours.





Technical + Acoustic Performance

Acoustic Absorber - **Silente WigWam™ Acoustic Desk Screen - 12mm**

Frequency (Hz)	125	250	500	1000	2000	4000	NRC
Silente WigWam™ 12mm	0.40	0.85	1.00	0.96	1.00	1.00	0.95



FIRE

Our Silente WigWam™ Acoustic desk screen has been tested to EN 13501-1:2007+A1:2009 Fire classification of construction products and building elements—Part 1: Classification using data from reaction to fire tests, Class B.



WEIGHT

Our Silente WigWam™ Acoustic desk screen weigh in at 4.5kg/m².

Note: All weights are given as approximations.



CLEANING

Light dirt marks may be removed by using a moist cloth. A small area should be tested before doing the rest of the area to ensure that the surface is not adversely affected.



PINABLE

Silente WigWam™ are Pinable & sound absorptive.

Silente WigWam™ Acoustic Desk Screens

Our Silente WigWam™ acoustic desk screen are a simple way to design your working environment or personal space the way you like it. With 22 Standard colours to select from, be it office space or play areas we will have the right colour and design for you. The Silente WigWam™ acoustic desk screen is great for any space. Our WigWams are fitted together with no extra parts.

Bespoke designs available on request.

Key Properties



Sound absorbing



Fire retardant



Impact Resistant



Single-polymer & recyclable



Durable & moisture resistant



Oeko-tex certified



Easy cleaning



Eco friendly



Printable



Silente WigWam™: Designs



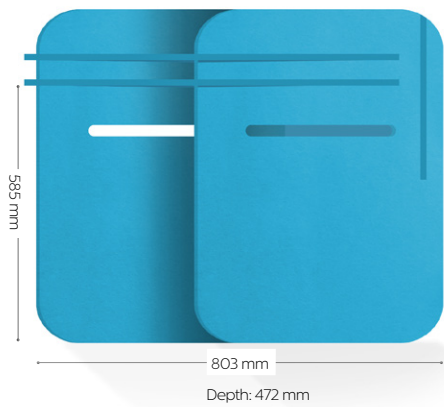
SILENTE: NEW MOON

Silente WigWam™ interlocks
Our Silente WigWam™ comes in 12mm thickness.

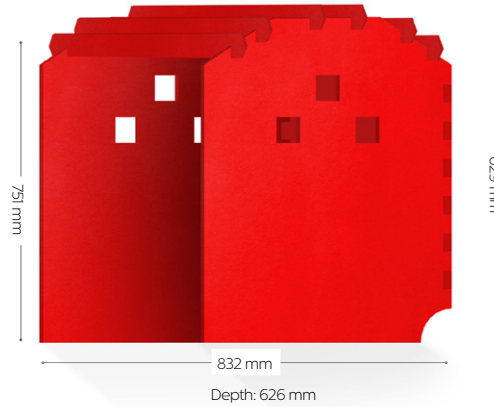


Silente WigWam™: Designs

SILENTE: **SPY**



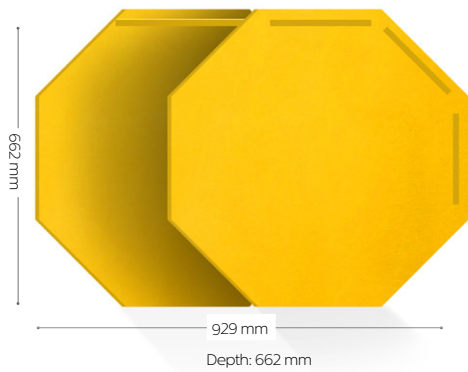
SILENTE: **BARN**



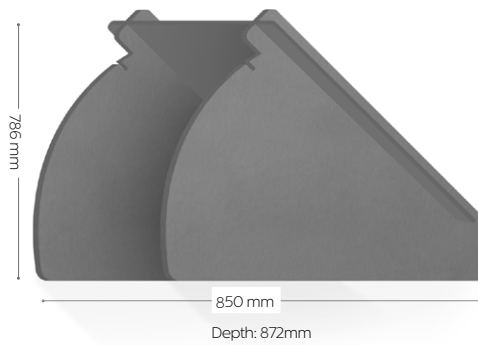
SILENTE: **TILT**



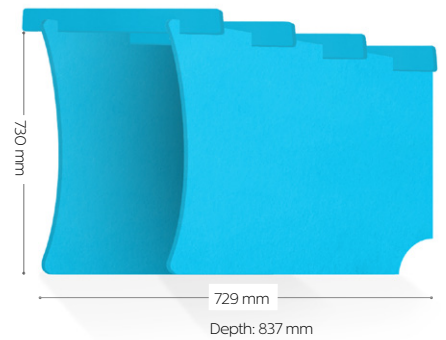
SILENTE: **FIGHTER**



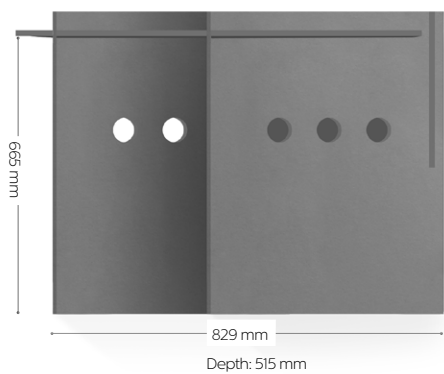
SILENTE: **SHADE**



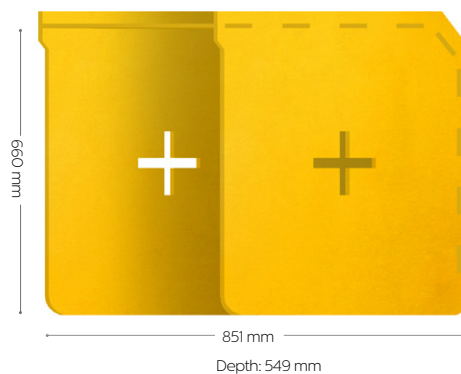
SILENTE: **ARNING**



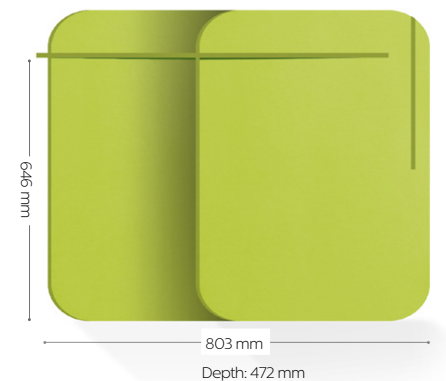
SILENTE: **NEST**



SILENTE: **SNIPER**



SILENTE: **BASIC**



- Bespoke designs available on request.
- All sizes are internal WigWam dimensions.

Polyester Acoustic Colour Range



Light Grey



Stone Grey



Charcoal Grey



Dark Grey



Camel Ivory



Mild Brown



Marble Beige



Silver Savoya



Black



Marble Smoke Blue



Marble Green



Green



White



Marble Rose



Red



Purple



Navy



Dark Blue



Cyan



Light Blue



Orange



Yellow

!!! Please note that the above colors are representative of the actual colours which may vary in shade or texture. We are able to provide actual panel samples upon request. !!!



Product Specification

1. Product

Silente WigWam™ acoustic desk screens:

Silente WigWam™:

WigWam design:

2. Finish

Colours to be selected from the Silente standard range: *Colour:*

3. Delivery, Storage & Handling

Protect Silente WigWam™ Acoustic Desk Screens from excessive moisture when storing, and handling.

4. Cleaning

Easily Cleaned with damp cloth or Duster

5. Supplier

Silente WigWam™ Acoustic Desk Screens as supplied by:

SoundHush Ltd, Atlantic House, Gomm Road, High Wycombe, Bucks, HP13 7DJ, United Kingdom

Tel: 01494 422 482 E. info@silente.co.uk W. www.silente.co.uk

