

Silente[®]

A c o u s t i c P a n e l s



Acoustic Ripple

Sound Absorbing cylinders.



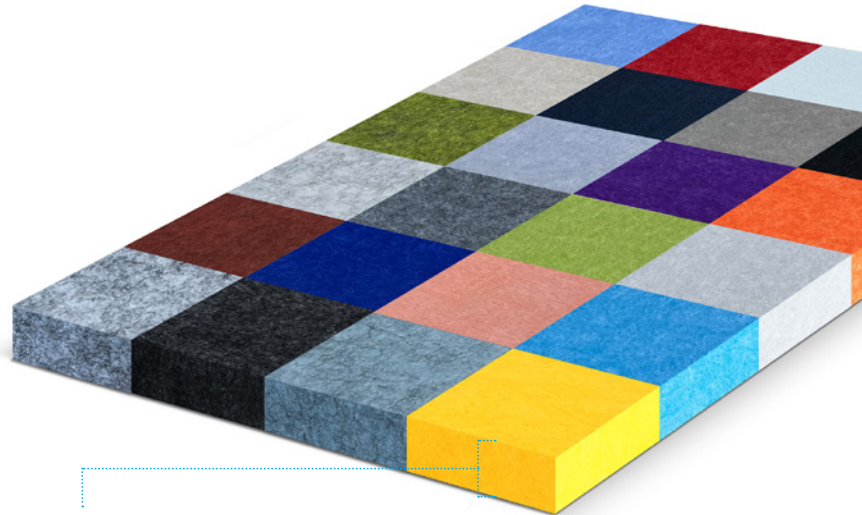
www.silente.co.uk

What is Silente Ripple™?

Silente Ripple™ range is a high sound absorbing cylinder designed to control echo and reverberation which creates a quiet space for employees.

Our Silente Ripple™ cylinders absorb sound to eliminate echo and reverberation around the working environment. Silente Ripple™ core material is a compressed polyester manufactured using post-consumer recycled polyester from plastic bottles.

Our panels have been designed to a very specific density to achieve the correct acoustic performance and are available in 12mm thickness.



Sound Absorbing Polyester
Thickness: 12mm





Technical + Acoustic Performance

Acoustic Absorber – Silente Ripple™

Frequency (Hz)	125	250	500	1000	2000	4000	NRC
Silente Ripple™ 12mm	0.40	0.85	1.00	0.96	1.00	1.00	0.95



FIRE

Our Silente Ripple™ office Panel core has been tested to EN 13501-1:2007+A1:2009 Fire classification of construction products and building elements—Part 1: Classification using data from reaction to fire tests, Class B.



WEIGHT

Our Silente Ripple™ weigh in at 4.5kg/m².

Note: All weights are given as approximations.



CLEANING

Light dirt marks may be removed by using a moist cloth. A small area should be tested before doing the rest of the area to ensure that the surface is not adversely affected.

Silente Ripple™

Our Silente Ripple™ Acoustic cylinders are a simple way to design your working environment or personal space the way you like it, at a fraction of the cost. With 22 Standard colours to choose from, be it office space or play areas we will have the right colour and design for you. With our 9 designs and 16 colours available for you. You will be able to get designing your space today.

Key Properties



Sound absorbing



Fire retardant



Oeko-tex certified



Single-polymer & recyclable



Durable & moisture resistant



Easy cleaning



Eco friendly

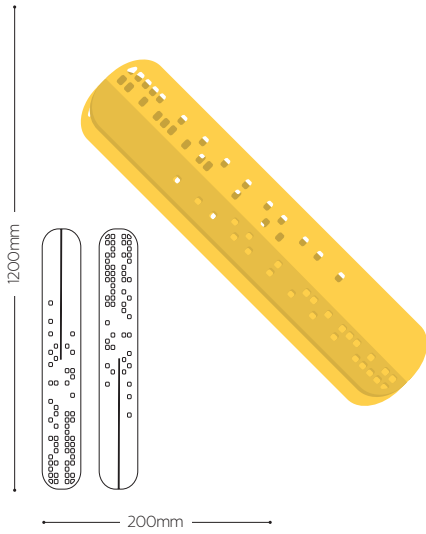


Silente Ripple™: Designs

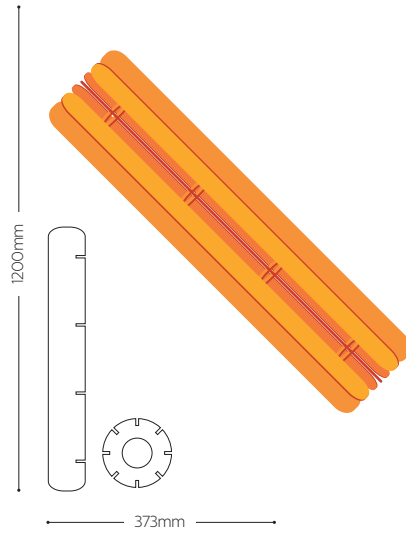


Silente Ripple: Designs

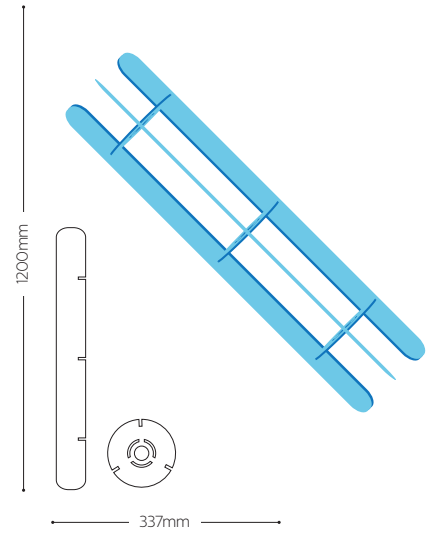
SILENTE: LOCK



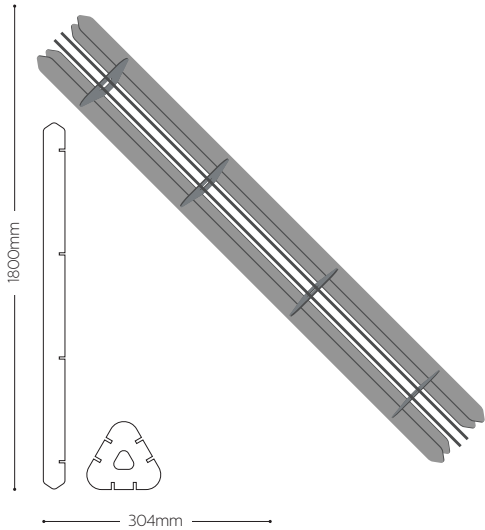
SILENTE: BISCUIT



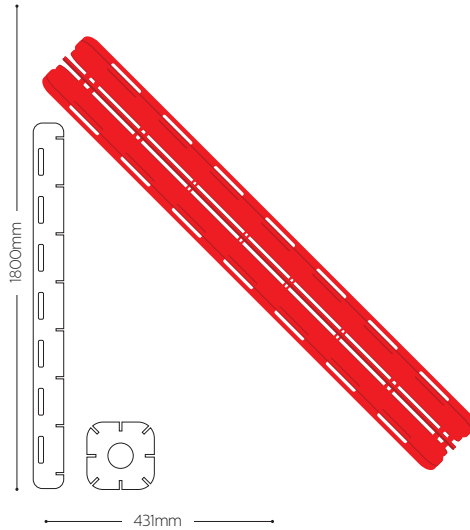
SILENTE: SPACE



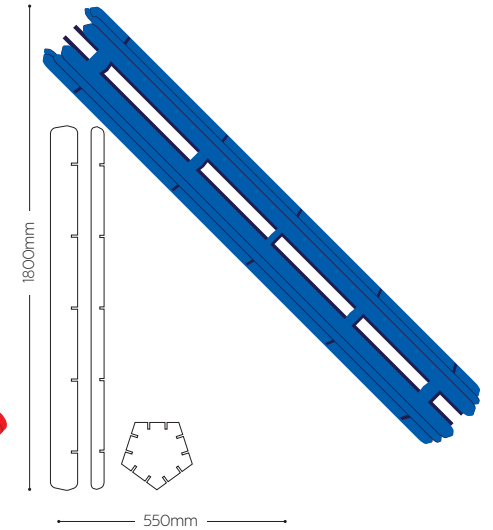
SILENTE: TRY



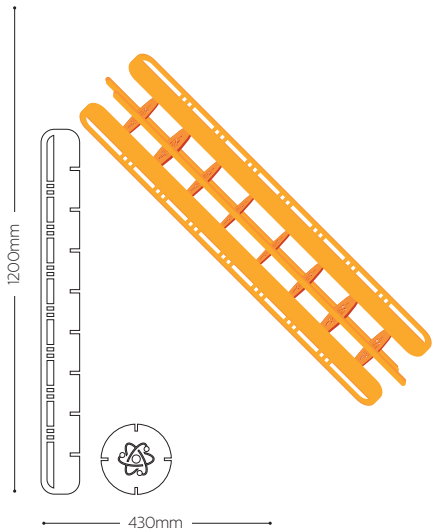
SILENTE: BARREL



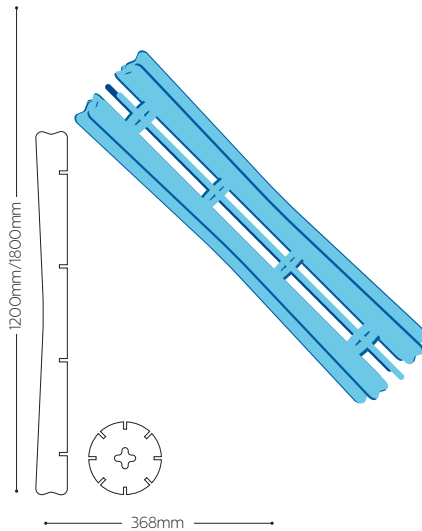
SILENTE: CASTLE



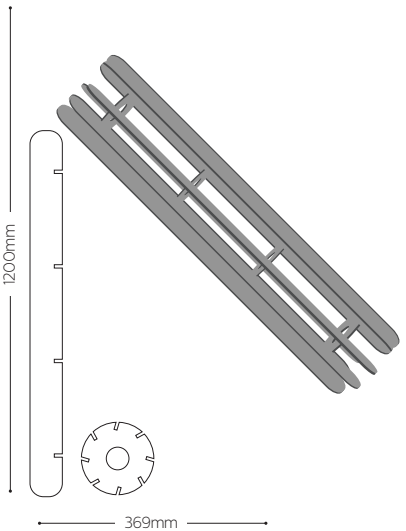
SILENTE: ATOM



SILENTE: CRESENT



SILENTE: JET



Polyester Acoustic Colour Range



Light Grey



Stone Grey



Charcoal Grey



Dark Grey



Camel Ivory



Mild Brown



Marble Beige



Silver Savoya



Black



Marble Smoke Blue



Marble Green



Green



White



Marble Rose



Red



Purple



Navy



Dark Blue



Cyan



Light Blue



Orange



Yellow

!!! Please note that the above colors are representative of the actual colours which may vary in shade or texture. We are able to provide actual panel samples upon request. !!!



Product Specification

1. Product

Silente Ripple™ Acoustic Cylinders:

2. Finish

Colours to be selected from the Silente standard range: **Silente Ripple™:**

Design:

Core colour:

3. Delivery, Storage & Handling

Protect Silente Ripple™ from excessive moisture when storing, and handling.

4. Cleaning

Easily Cleaned with damp cloth or Duster

5. Supplier

Silente Ripple™ as supplied by:

SoundHush Ltd, Atlantic House, Gomm Road, High Wycombe, Bucks, HP13 7DJ, United Kingdom

Tel: 01494 422 482 E. info@silente.co.uk W. www.silente.co.uk

